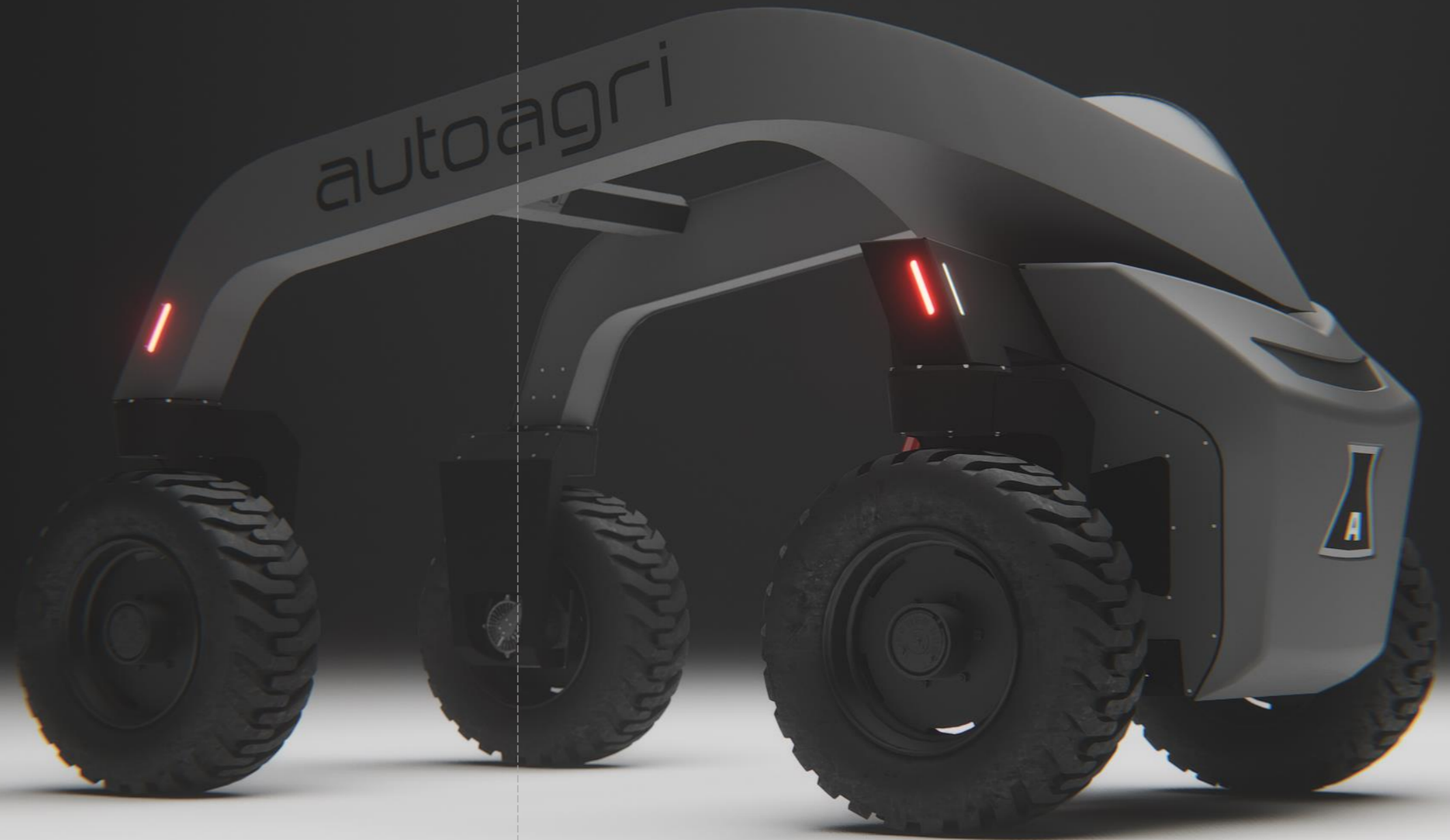


autoagri

IC SERIES

www.autoagri.no
info@autoagri.no



REDUCES
CARBON FOOTPRINT

MINIMIZES
SOIL COMPACTION

SAVES COST AND
INCREASES FLEXIBILITY

ICS 20 E



ICS 20 HD



AUTONOMOUS

Primary navigation by GPS with RTK.

Integrated cameras In front and rear. Separate wide angle camera for implement monitoring

Remote control for manual control when necessary

ELECTRIC

Fully electric or Plug-In hybrid based on requirements and available infrastructure. Lowest possible energy consumption and emissions in your application.

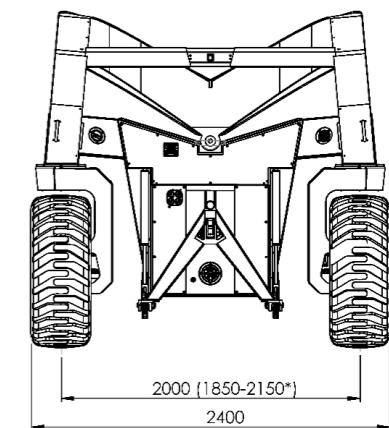
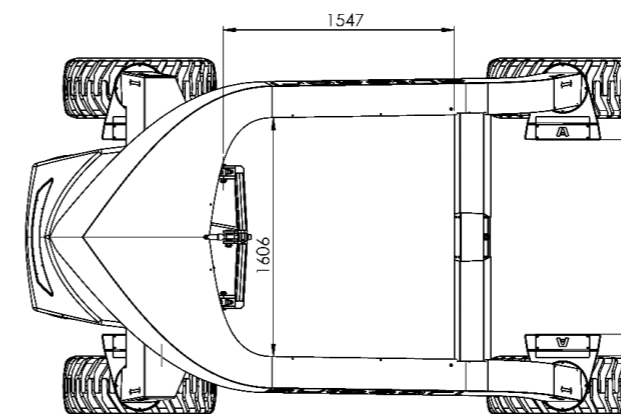
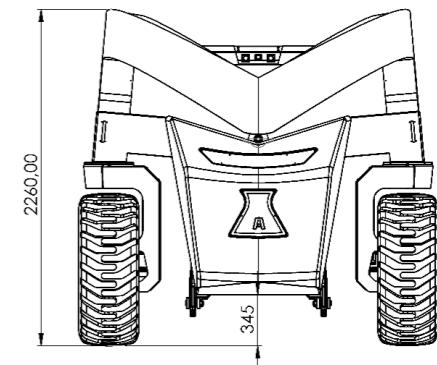
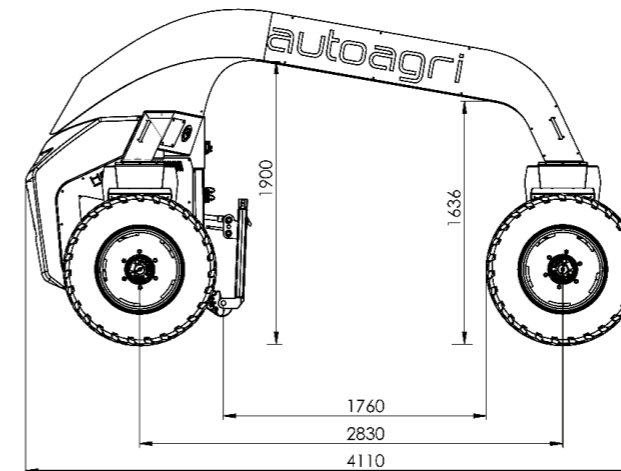
MULTI USE

3-point hitch, PTO and hydraulics ensures compability with a wide range of existing implements in the market. High payload to vehicle weight ratio minimizes soil compation.

ICS 20 E

ICS 20 HD

Traction system	4 wheel drive, 4x17 kW peak electric motors	
Steering system	4 wheel steering 360 degree turning angle on all wheels	
Operational speed autonomous mode	0-12 km/h	
Operational speed RC mode	0-6 km/h	
Battery capacity	64kWh	10,2 kWh
Combustion engine	-	43 kW Hatz TICD stage V
PTO motor power	15kW/25kW peak electric motor	
Auxiliary hydraulics	2x2-way outputs. Pressure: 190 Bar / Flow 7 litres min.	
Empty weight	2500 kg	2400 kg
CAT 2 3-point payload	2000 kg	



*Information valid for the 2022 IC-Series pilot vehicles.
Specifications may change without further notice.*